

2MP Starlight Laser IR Network PTZ Dome Camera

IPC6252SL-X33UP



Key Features

Optics

- Starlight illumination
- 33x optical zoom
- Accurate and fast focusing
- IR anti-reflection window to increase the infrared transmittance
- Optical glass window with higher light transmittance
- Vari-focal laser: 500m (1640ft) distance, proportional to optical zoom of camera module

Compression

- Ultra 265, H.265, H.264, MJPEG
- Triple streams

- Customized OSD

Network

- ONVIF Conformance

Structure

- Special structure and window design to battle bad weather (especially in dusty weather)
- Innovative snow-removing functionality
- Intelligent temperature control technology
- More effective heat dissipation system
- 6KV surge protection designed for network interface

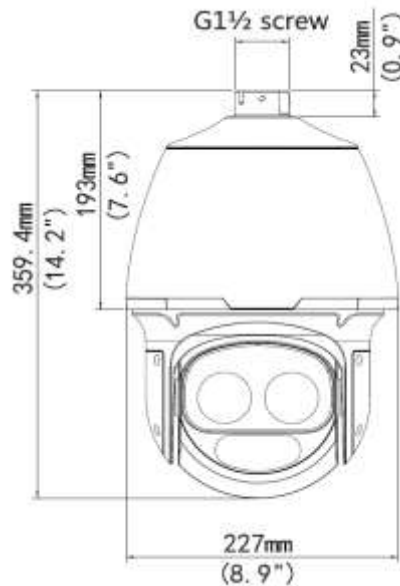
Specifications

IPC6252SL-X33UP					
Camera					
Sensor	1/2.8", 2.0 megapixel, progressive scan, CMOS				
Lens	4.5 ~ 148.5mm, AF automatic focusing and motorized zoom lens				
Digital Zoom	16				
Optical Zoom	33				
DORI Distance	Lens (mm)	Detect (m)	Observe (m)	Recognize (m)	Identify (m)
	4.5	69.8	27.9	14	7
	148.5	2304.3	921.7	460.9	230.4
Angle of View (H)	62.67° ~ 2.82°				
Angle of View (V)	38.4° ~ 1.3°				
Angle of View (O)	77.1° ~ 3.3°				
Shutter	Auto/Manual, shutter time: 1 ~ 1/100000s				
Minimum Illumination	Colour: 0.001Lux (F1.6, AGC ON) 0Lux with IR				
Iris	Auto/Manual, F1.6 ~ F5.3				
Day/Night	IR-cut filter with auto switch (ICR)				
Digital noise reduction	2D/3D DNR				
S/N	>52dB				
VF laser	Up to 500m (1640ft)				
Defog	Digital Defog				

WDR	120dB
Video	
Video Compression	Ultra 265, H.265, H.264, MJPEG
H.264 code profile	Baseline profile, Main Profile, High Profile
Frame Rate	Main Stream: 2MP (1920*1080), Max 60fps; Sub Stream: 2MP (1920*1080), Max 60fps; Third Stream: D1 (720*576), Max 60fps
HLC	Supported
BLC	Supported
EIS	Supported
OSD	Up to 8 OSDs
Privacy Mask	Up to 24 areas
ROI	Up to 8 areas
Motion Detection	Up to 4 areas
Smart	
General Function	Watermark, IP Address Filtering, Tampering Alarm, Alarm input, Alarm output, Access Policy, ARP Protection, RTSP Authentication, User Authentication
Audio	
Audio Compression	G.711
Two-way Audio	Supported
Suppression	Supported
Sampling Rate	8KHZ
Storage	
Edge Storage	Micro SD, up to 256GB
Network Storage	ANR
Network	
Protocols	IPv4, IGMP, ICMP, ARP, TCP, UDP, DHCP, PPPoE, RTP, RTSP, RTCP, DNS, DDNS, NTP, FTP, UPnP, HTTP, HTTPS, SMTP, 802.1x, SNMP, SSL, QoS
Compatible Integration	ONVIF (Profile S, Profile G, Profile T), API
Pan & Tilt	
Pan Range	360°
Pan Speed	0.1°/s ~ 240°/s
	Preset speed: 300°/s
Tilt Range	-15° ~ 90° (auto reverse)
Tilt Speed	0.1° ~ 160°/s
	Preset speed: 240°/s
Number of Presets	1024
Patrol	Preset patrol, route patrol, recorded patrol
Home Position	Supported
Interface	
Audio I/O	Audio interface
	1 Input: impedance 35kΩ; amplitude 2V [p-p]
	1 Output: impedance 600Ω; amplitude 2V [p-p]
Alarm I/O	1/1
Network	1 RJ45 10M/100M Base-TX adaptive Ethernet network interface

General	
Power	AC 24V±25% (default power supply), DC 24V±25%, PoE (PSE Required)
	Power consumption: 8 ~ 47W
Dimensions (∅ x H)	∅227 x 359.4mm (∅8.9" x 14.2")
Weight	5.6kg (12.3lb)
Working Environment	-40°C ~ 70°C (-40°F ~ 158°F), Humidity: ≤95% RH (non-condensing)
Ingress Protection	IP66
IR	Built-in VF laser IR
Reset Button	Supported

Dimensions



Zhejiang Uniview Technologies Co., Ltd.

Building No.10, Wanlun Science Park, Jiangling Road 88, Binjiang District, Hangzhou, Zhejiang, China (310051)

Email: overseasbusiness@uniview.com; globalsupport@uniview.com

<http://www.uniview.com>

©2019 Zhejiang Uniview Technologies Co., Ltd. All rights reserved.

*Product specifications and availability are subject to change without notice.